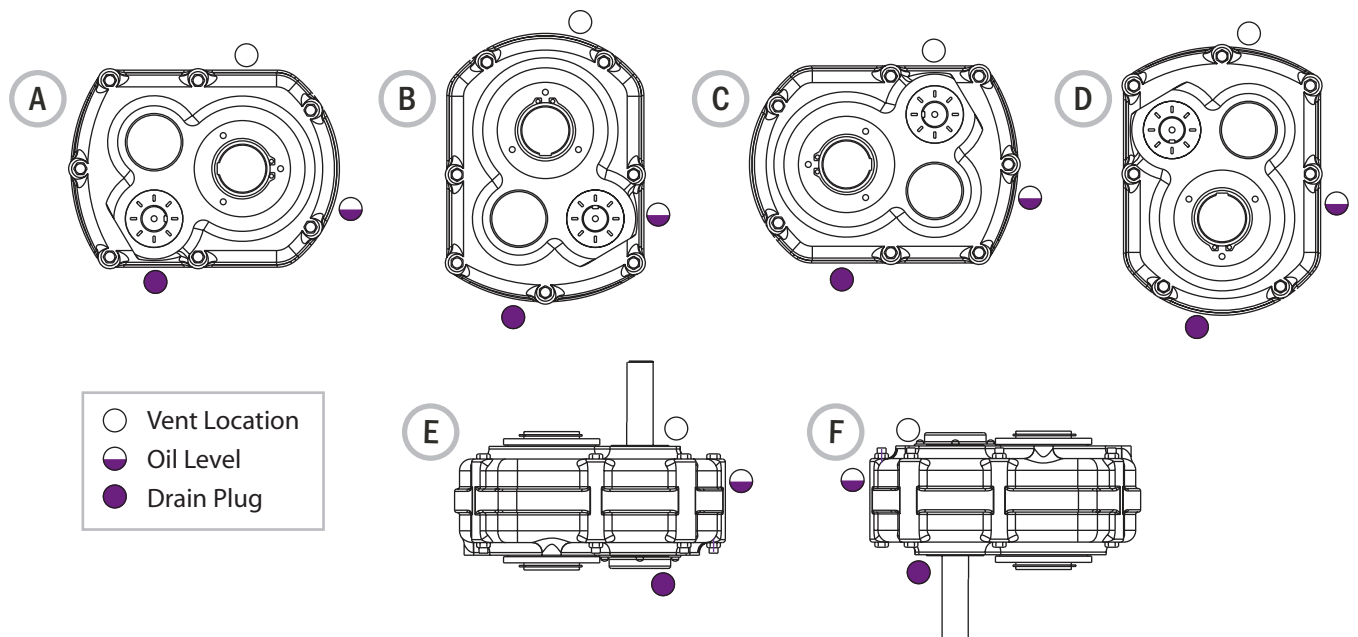


# Shaft Mount Speed Reducers Lubrication Specifications

## Recommended Lubricant ExxonMobil SHC 630 Synthetic

Vortex shaft mount speed reducers are normally shipped without lubricant. They must be filled with the recommended lubricant to the recommended level before use.



## Approximate Oil Fill Volume (Quarts)

REDUCER SIZE VXT	MOUNTING POSITION					
	HORIZONTAL				VERTICAL	
	A	B	C	D	E	F
2	0.90	1.00	0.65	1.00	1.65	1.75
3	1.50	1.50	0.75	2.25	2.65	3.00
4	1.90	2.25	1.25	3.00	3.40	4.25
5	3.25	4.00	3.25	4.00	7.00	8.65
6	4.25	5.00	4.25	5.00	8.65	9.15
7	6.50	8.00	7.25	9.25	15.40	16.40
8	8.50	11.00	10.50	8.50	19.15	19.15

### For best results:

1. Fill reducer with recommended lubricant and operate 100 hours.
2. Drain lubricant after 100 hours and flush reducer with a light oil.
3. Refill reducer with recommended lubricant.
4. Change lubricant every 2,500 hours or 6 months to maximize life.