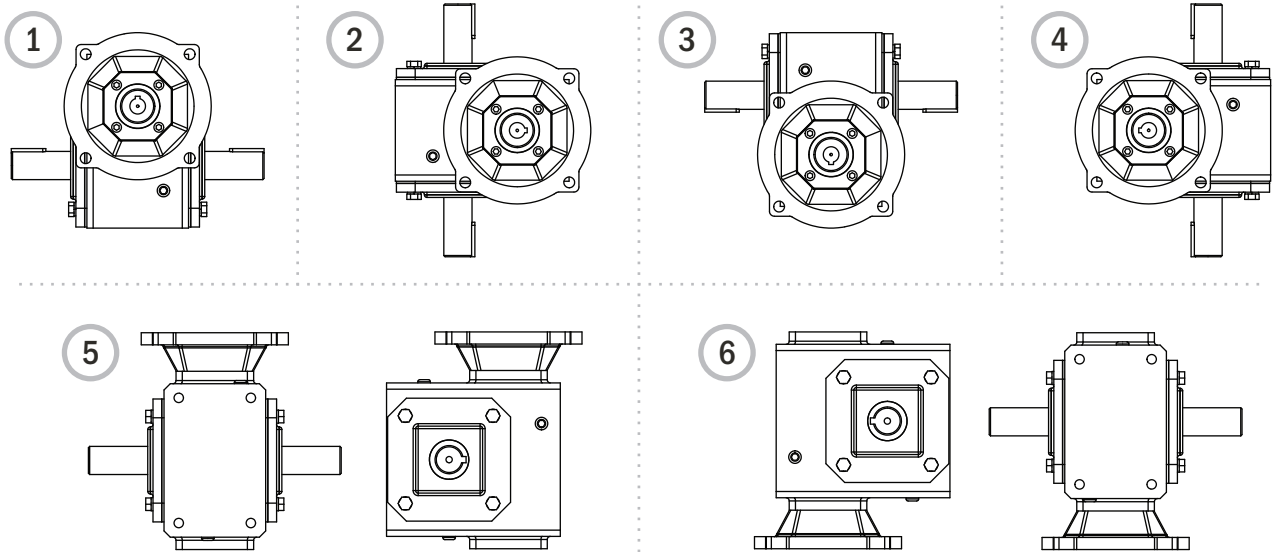


## Recommended Lubricant ExxonMobil SHC 630 Synthetic

Vortex worm gear speed reducers are normally shipped without lubricant. They must be filled with the recommended lubricant to the recommended level before use.



## Approximate Oil Fill Volume

SIZE	POSITION									
	1		2		3		4		5 & 6	
	FL. OZ.	QTS.	FL. OZ.	QTS.	FL. OZ.	QTS.	FL. OZ.	QTS.	FL. OZ.	QTS.
133	5.5	0.17	7.0	0.22	7.0	0.22	7.0	0.22	5.5	0.17
154	10.0	0.31	15.0	0.47	15.0	0.47	13.5	0.42	13.5	0.42
175	12.0	0.38	16.0	0.50	18.5	0.58	16.0	0.50	16.0	0.50
206	15.0	0.47	20.5	0.64	20.5	0.64	19.0	0.59	19.0	0.59
237	18.0	0.56	24.5	0.77	28.5	0.89	24.5	0.77	24.5	0.77
262	28.0	0.88	36.0	1.13	43.0	1.34	36.0	1.13	36.0	1.13
300	48.0	1.50	60.0	1.88	66.0	2.06	60.0	1.88	60.0	1.88
325	58.0	1.81	84.0	2.63	90.0	2.81	80.0	2.50	80.0	2.50

### For best results:

1. Fill reducer with recommended lubricant and operate 24 hours.
2. Drain lubricant after 24 hours and flush reducer with a light oil.
3. Refill reducer with recommended lubricant.
4. Change lubricant every 2,500 hours to maximize life.